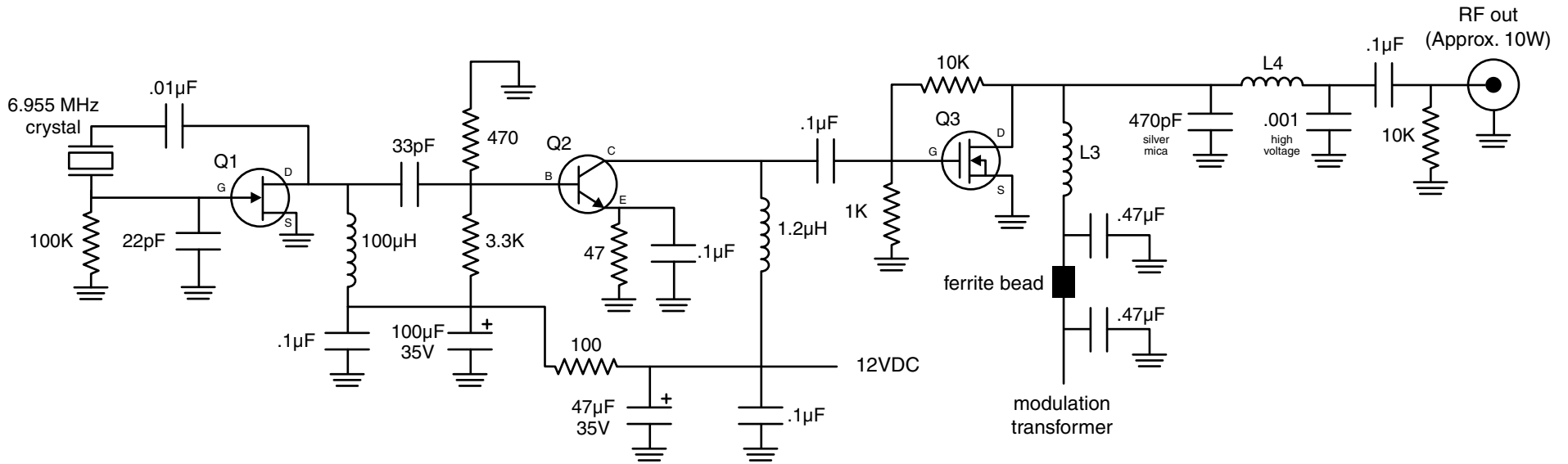


The Grenade Project



Q1 - 2N3819
Q2 - 2N3553, NTE473
Q3 - IRF510

L2 - 31 turns / 22 gauge on a 13/64" form (1.2 μ H)
L3 - Don't know value yet. (same as some chokes found in the radio shack assortments.)
L4 - 8 turns / 22 gauge on T50-2 (red) toroid core